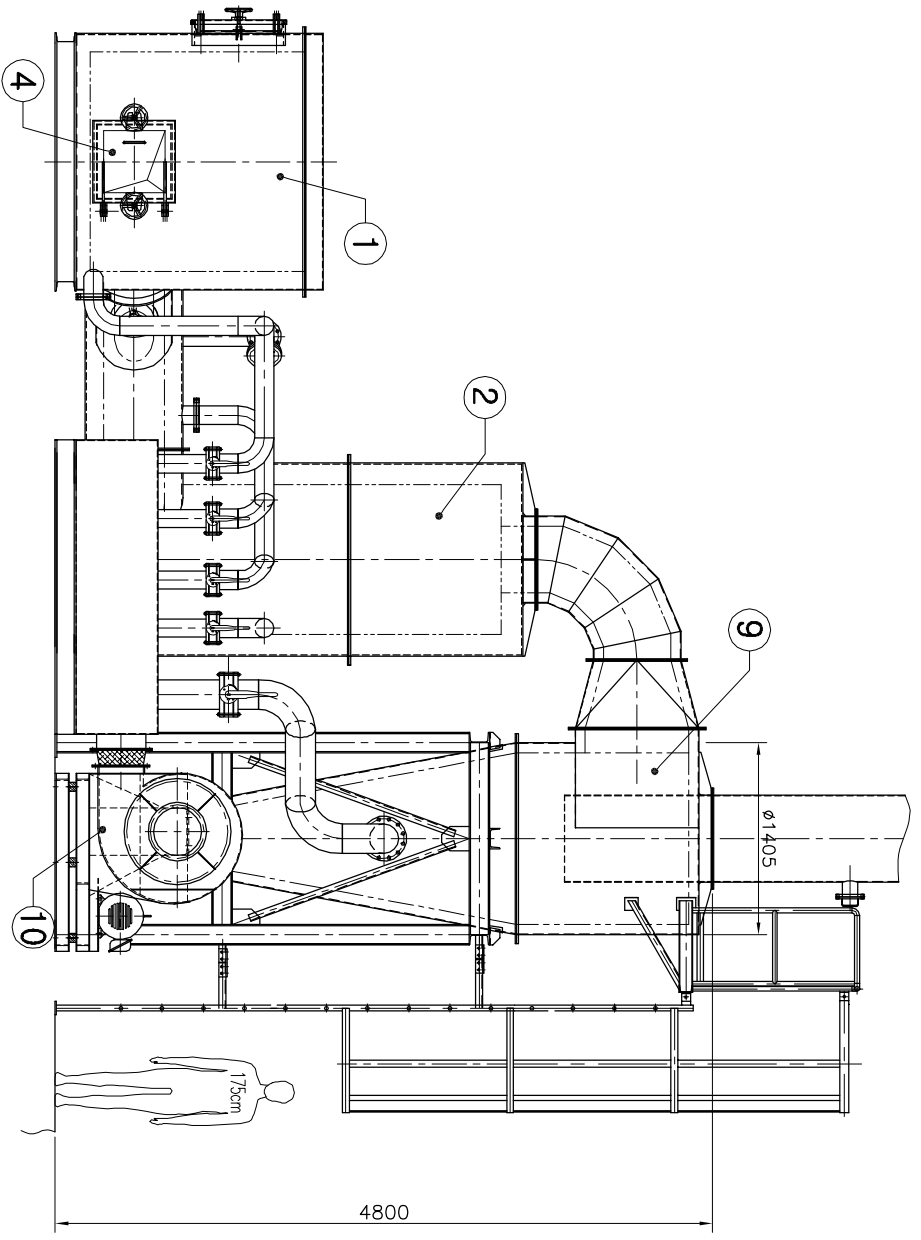
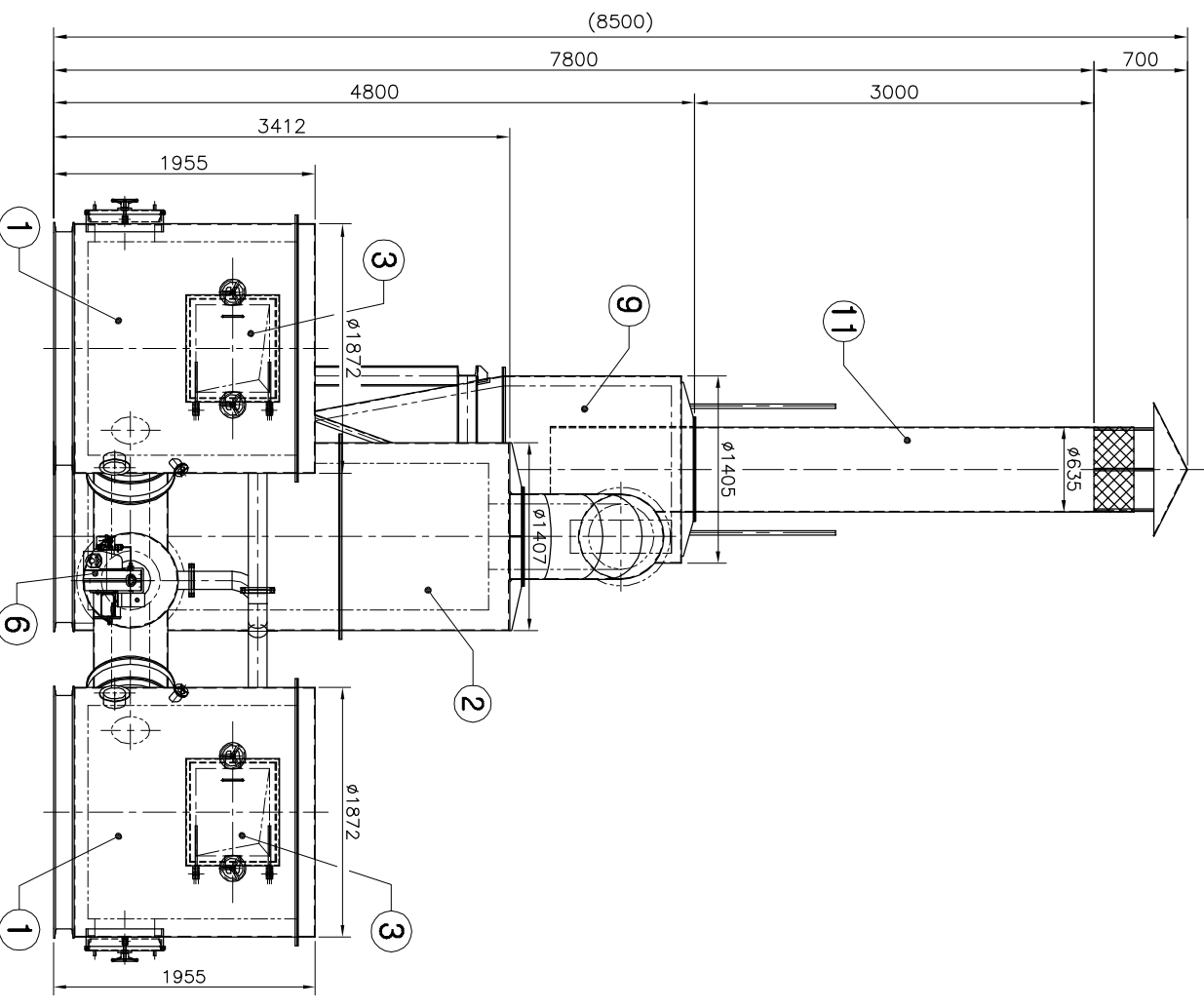
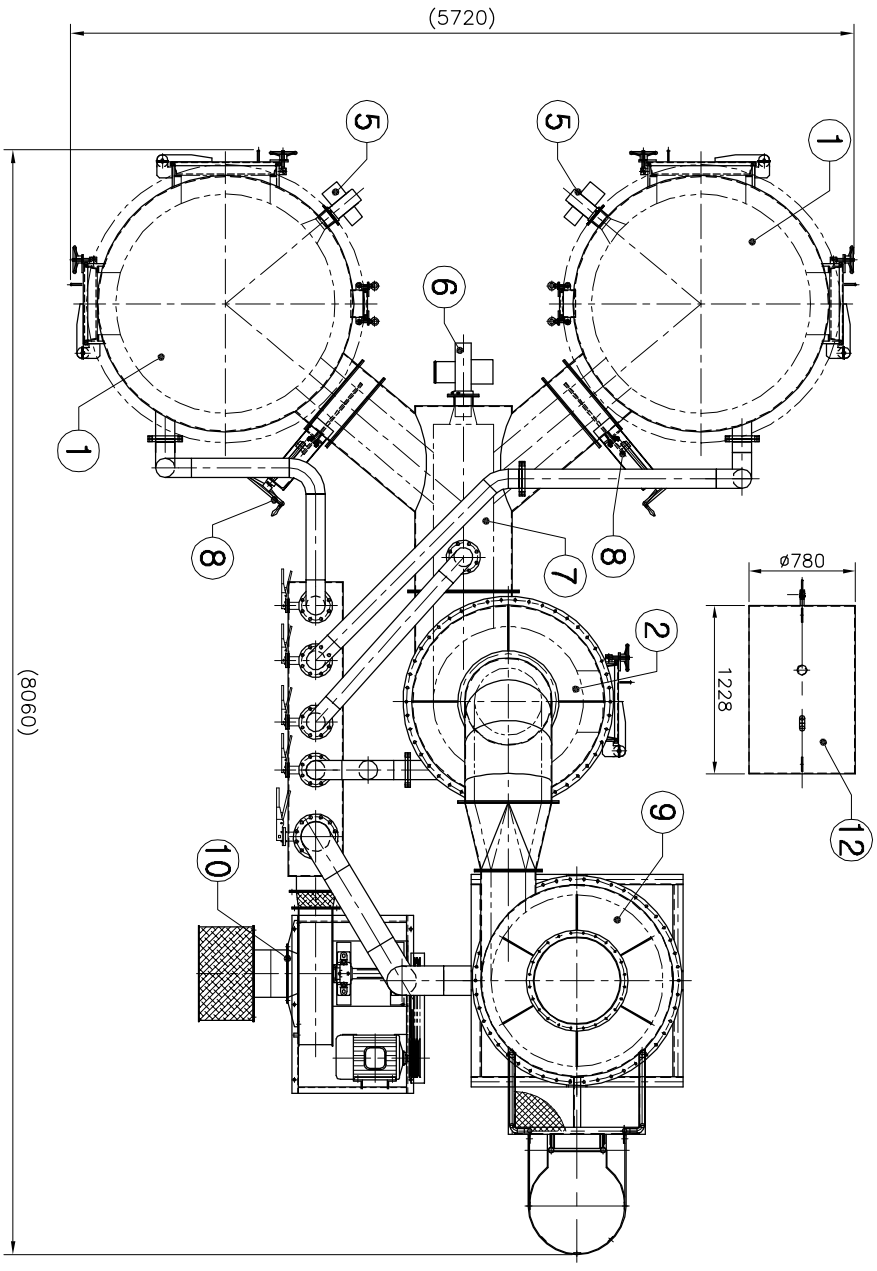


NO	DISCRPTION	SPECIFICATION	Q'TY
1	GASIFICATION FURNACE	φ1,872x1,955H	2
2	COMBUSTION FURNACE	φ1,407x3,412H	1
3	CHARGING DOOR	650Wx550H	2
4	ASH DOOR	450Wx450H	2
5	IGNITION BURNER	4~9.7 kg/hr	2
6	2ND BURNER	12~30 kg/hr	1
7	IGNITION COMBUSTION DEVICE	φ712x1,335L	1
8	SLIDE GATE		2
9	CYCLONE	φ1,405x4,800H	1
10	FAN	106m ³ /min x 350mmAq, 50Hz	1
11	CHIMNEY	φ635x3,000H	1
12	OIL TANK	450 Lit	1



Customer : _____

Ordering Organization : _____

Constructor : **FRICO KOREA INCINERATOR CO., LTD**

PROJECT : **MEDICAL WASTE INCINERATOR 200KG/HR**

APPROVED BY : _____

CHECKED BY : _____

DESIGNED BY : _____

DRAWN BY : _____

TITLE : **KRHT 200 ASS'Y**

SCALE : 1/54

DATE : _____

DRAWING NO. : _____

SHEET NO. : _____