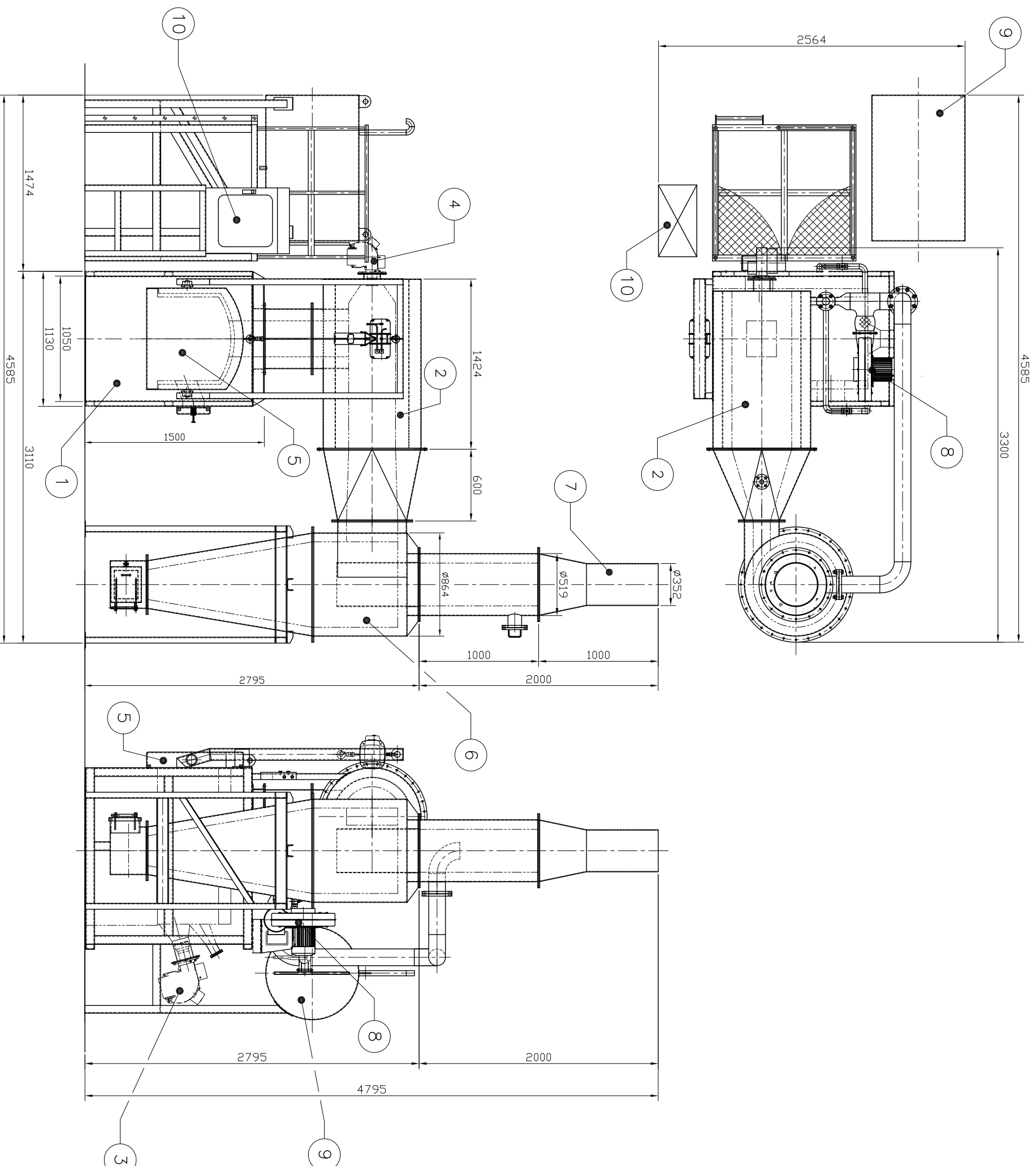


ITEM	PART CODE	NAME OF PART
1		PRIMARY COMBUSTION CHAMBER
2		SECONDARY COMBUSTION CHAMBER
3		1ST BURNER
4		2ND BURNER
5		INPUT DOOR
6		CYCLONE
7		CHIMNEY
8		FAN
9		OIL TANK
10		CONTROL PANEL



Customer : _____ Ordering Organization : _____ Constructor : _____ PROJECT : MEDICAL WASTE INCINERATOR 50KG/HR (CARCASS INCINERATOR)

APPROVED BY	_____	TITLE :	INCINERATOR SYSTEM ASSEMBLY
CHECKED BY	_____	SCALE :	1/35
DESIGNED BY	_____	DATE :	2014. 07
DRAWN BY	_____	도면 번호	_____
		DRAWING NO. :	_____
			SHEET NO

KOREA INCINERATOR CO.,LTD